

FCC Part 15B Test Report

Report No. : TB-FCC167142
Applicant : Beijing iTegva Technology Co., Ltd.
Equipment Under Test (EUT)
EUT Name : CANFD to RS-232/422/485 bidirectional smart protocol converter
Model No. : CANFDRS-100IE
Serial Model No. : N/A
Brand Name : iTegva
Receipt Date : 2019-07-04
Test Date : 2019-07-05 to 2019-07-15
Issue Date : 2019-07-15
Standards : FCC Part 15:2018 Subpart B
Conclusions : **PASS**

In the configuration tested, the EUT complied with the standards specified above

The EUT technically complies with the FCC requirements

Test/Witness Engineer :

Rebecca

Engineer Supervisor :

Ivan Sui

Engineer Manager :

Ray Lai



FCC

This report details the results of the testing carried out on one sample. The results contained in this test report do not relate to other samples of the same product. The manufacturer should ensure that all products in series production are in conformity with the product sample detailed in the report.

Contents

CONTENTS.....	2
1. GENERAL INFORMATION.....	4
1.1 Client Information.....	4
1.2 General Description of EUT (Equipment Under Test)	4
1.3 Block Diagram Showing The Configuration of System Tested.....	5
1.4 Description of Support Units	5
1.5 Description of Test Mode.....	6
1.6 Test standards.....	6
1.7 Test Facility.....	7
1.8 Measurement Uncertainty	7
2. TEST SUMMARY.....	8
3. TEST EQUIPMENT USED	8
4. LABEL REQUIREMENTS&STATEMENT REQUIREMENTS	9
5. CONDUCTED EMISSION TEST	10
5.1 Test Standard and Limit.....	10
5.2 Test Setup.....	10
5.3 Test Procedure.....	11
5.4 Test Data.....	11
6. RADIATED EMISSION TEST	12
6.1 Test Standard and Limit.....	12
6.2 Test Setup.....	12
6.3 Test Procedure.....	13
6.4 Test Data.....	13
7. PHOTOGRAPHS - CONSTRUCTIONAL DETAILS	14
8. PHOTOGRAPHS - TEST SETUP	17
ATTACHMENT A--RADIATED EMISSION TEST DATA	18

Revision History

Report No.	Version	Description	Issued Date
TB-FCC167142	Rev.01	Initial issue of report	2019-07-15

1. General Information

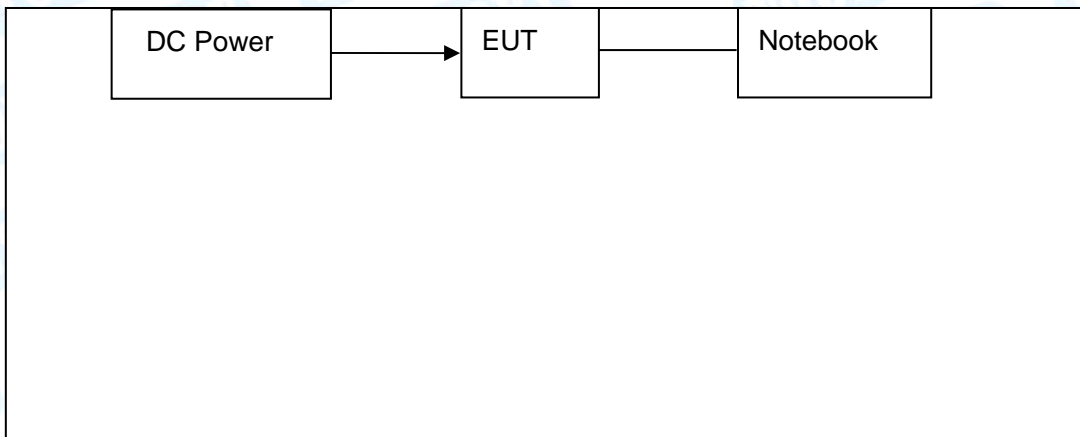
1.1 Client Information

Applicant	:	Beijing iTegva Technology Co., Ltd.
Address	:	Room 108, Ynkai Buiding No.8 Canbo Road, Miyun Economic Development Zone, China
Manufacturer	:	Beijing iTegva Technology Co., Ltd.
Address	:	Room 108, Ynkai Buiding No.8 Canbo Road, Miyun Economic Development Zone, China

1.2 General Description of EUT (Equipment Under Test)

EUT Name	:	CANFD to RS-232/422/485 bidirectional smart protocol converter
Model(s)	:	CANFDRS-100IE
Model Difference	:	N/A
Brand Name	:	iTegva
Power Supply	:	6-36V
Equipment	:	<input type="checkbox"/> Class A <input checked="" type="checkbox"/> Class B
Class A Equipment: the Equipment is not intended primarily for use in a residential environment.		
Class B Equipment: the Equipment is intended primarily for use in a residential environment.		

1.3 Block Diagram Showing The Configuration of System Tested



1.4 Description of Support Units

Equipment Information				
Name	Model	S/N	Manufacturer	Used “√”
LCD Monitor	E170Sc	----	DELL	
PC	OPTIPLEX380	----	DELL	
Keyboard	L100	U01C	DELL	
Mouse	M-UARDEL7	----	DELL	
TV	K600S	----	KONKA	
Notebook	T60p	----	Thinkpad	√
Pink Noise Generator	DF1681	----	Zhongce	
Cable Information				
Number	Shielded Type	Ferrite Core	Length	Note
Cable 1	YES	YES(2)	1.8M	
Cable 2	YES	YES(1)	2.0M	
Cable 3	YES	NO	1.5M	
Cable 4	NO	NO	0.5M	

1.5 Description of Test Mode

To investigate the maximum EMI emission characteristics generates from EUT, the test system was pre-scanning tested base on the consideration of following EUT operation mode or test configuration mode which possible have effect on EMI emission level. Each of these EUT operation mode(s) or test configuration mode(s) mentioned follow was evaluated respectively.

For Conducted Test	
Final Test Mode	Description
Mode 1	/
For Radiated Test	
Final Test Mode	Description
Mode 1	Normal Mode

1.6 Test standards

The objective is to determine compliance with FCC Part 15, Subpart B, and section 15.107, 15.109 rules.

Maintenance of compliance is the responsibility of the manufacturer. Any modification of the product, which result in lowering the emission, should be checked to ensure compliance has been maintained.

1.7 Test Facility

The testing report were performed by the Shenzhen Toby Technology Co., Ltd., in their facilities located at 1A/F., Bldg.6, Yusheng Industrial Zone, The National Road No.107 Xixiang Section 467, Xixiang, Bao'an, Shenzhen, Guangdong, China. At the time of testing, the following bodies accredited the Laboratory:

CNAS (L5813)

The Laboratory has been accredited by CNAS to ISO/IEC 17025: 2005 General Requirements for the Competence of Testing and Calibration Laboratories for the competence in the field of testing. And the Registration No.: CNAS L5813.

A2LA Certificate No.: 4750.01

The laboratory has been accredited by American Association for Laboratory Accreditation(A2LA) to ISO/IEC 17025: 2005 General Requirements for the Competence of Testing and Calibration Laboratories for the technical competence in the field of Electrical Testing. And the A2LA Certificate No.: 4750.01.

IC Registration No.: (11950A-1)

The Laboratory has been registered by Certification and Engineering Bureau of Industry Canada for radio equipment testing. The site registration: Site# 11950A-1.

1.8 Measurement Uncertainty

The reported uncertainty of measurement $y \pm U$, where expended uncertainty U is based on a standard uncertainty multiplied by a coverage factor of $k=2$, providing a level of confidence of approximately 95 %.

Test	Parameters	Expanded Uncertainty (U_{Lab})	Expanded Uncertainty (U_{Cispr})
Conducted Emission	Level Accuracy: 9kHz~150kHz 150kHz to 30MHz	± 3.42 dB ± 3.42 dB	± 4.0 dB ± 3.6 dB
Radiated Emission	Level Accuracy: Above 1000MHz	± 4.20 dB	N/A
Radiated Emission	Level Accuracy: 30MHz to 1000 MHz	± 4.40 dB	± 5.2 dB

2. Test Summary

Test Items	Test Requirement	Test Method	Result
Conducted Emission	FCC Part 15:2018 Subpart B	ANSI C63.4	N/A
Radiated Emission	FCC Part 15:2018 Subpart B	ANSI C63.4	Pass

Note: N/A is an abbreviation for Not Applicable.

3. Test Equipment Used

Conducted Emission Test					
Equipment	Manufacturer	Model No.	Serial No.	Last Cal.	Cal.Due Date
EMI Test Receiver	Rohde & Schwarz	ESCI	100321	Jul. 13, 2019	Jul. 12, 2020
RF Switching Unit	Compliance Direction Systems Inc	RSU-A4	34403	Jul. 13, 2019	Jul. 12, 2020
AMN	SCHWARZBECK	NNBL 8226-2	8226-2/164	Jul. 13, 2019	Jul. 12, 2020
LISN	Rohde & Schwarz	ENV216	101131	Jul. 13, 2019	Jul. 12, 2020
Radiation Emission Test					
Equipment	Manufacturer	Model No.	Serial No.	Last Cal.	Cal.Due Date
Spectrum Analyzer	Agilent	E4407B	MY45106456	Jul. 13, 2019	Jul. 12, 2020
EMI Test Receiver	Rohde & Schwarz	ESCI	101165	Jul. 13, 2019	Jul. 12, 2020
Bilog Antenna	ETS-LINDGREN	3142E	00117537	Jan. 27, 2019	Jan. 26, 2020
Bilog Antenna	ETS-LINDGREN	3142E	00117542	Jan. 27, 2019	Jan. 26, 2020
Horn Antenna	ETS-LINDGREN	3117	00143207	Mar. 03, 2019	Mar. 02, 2020
Horn Antenna	ETS-LINDGREN	3117	00143209	Mar. 03, 2019	Mar. 02, 2020
Pre-amplifier	HP	11909A	185903	Mar. 04, 2019	Mar. 03, 2020
Pre-amplifier	HP	8449B	3008A00849	Mar. 03, 2019	Mar. 02, 2020
Cable	HUBER+SUHNER	100	SUCOFLEX	Mar. 03, 2019	Mar. 02, 2020
Signal Generator	Rohde & Schwarz	SML03	IKW682-054	Mar. 03, 2019	Mar. 02, 2020
Positioning Controller	ETS-LINDGREN	2090	N/A	N/A	N/A

4. Label Requirements&Statement Requirements

 Class B**Label Requirements**

Class B digital device subject to certification by the FCC shall carry a warning label which includes the following statement:

***** WARNING *****

This device complies with Part 15 of the FCC Rules. Operation is subject to the following two conditions: (1) this device may not cause harmful interference, and (2) this device must accept any interference received, including interference that may cause undesired operation.

 Class A**Statement Requirements**

The operator's manual for a Class A digital device shall contain the following statements or their equivalent:

***** WARNING *****

This equipment has been tested and found to comply with the limits for a Class A digital device, pursuant to part 15 of the FCC Rules. These limits are designed to provide reasonable protection against harmful interference when the equipment is operated in a commercial environment This equipment generates, uses, and can radiate radio frequency energy and, if not installed and uses in accordance with the instruction manual, may cause harmful interference to radio communications Operation of this equipment in a residential area is likely to cause harmful interference in which case the user will be required to correct the interference at his own expense.

Notice: The changes or modifications not expressly approved by the party responsible for compliance could void the user's authority to operate the equivalent.

If the EUT was tested with special shielded cables the operator's manual for such product shall also contain the following statements or their equivalent:

Shielded interface cables and/or AC power cord, if any, must be used in order to comply with the emission limits.

5. Conducted Emission Test

5.1 Test Standard and Limit

5.1.1 Test Standard

FCC Part 15 B: 2018

5.1.2. Test Limit

Conducted Emission Test Limit (Class A)

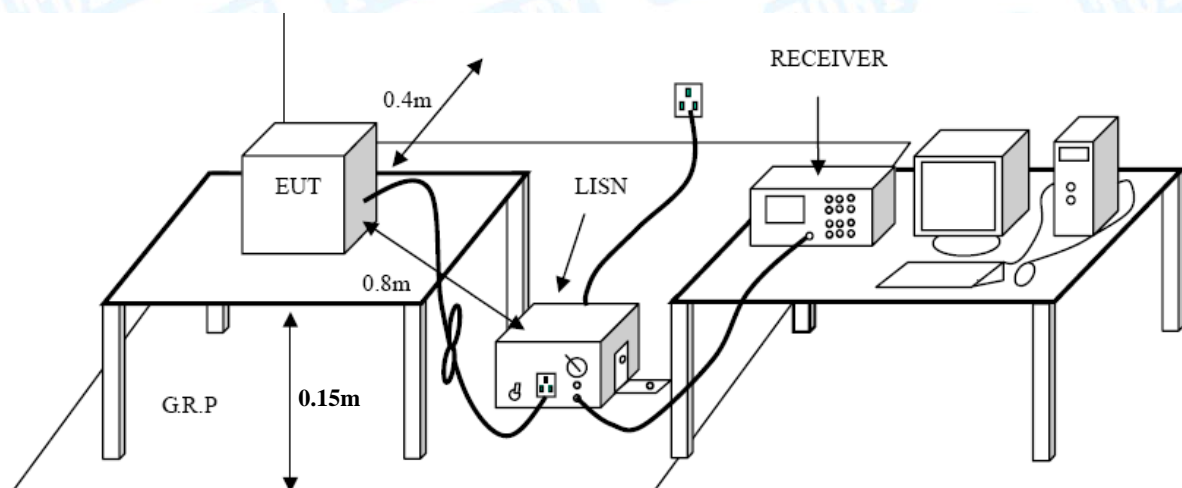
Frequency (MHz)	Maximum RF Line Voltage (dB μ V)	
	Quasi-peak Level	Average Level
0.15~0.50	79	66
0.50~30	73	60

Conducted Emission Test Limit (Class B)

Frequency (MHz)	Maximum RF Line Voltage (dB μ V)	
	Quasi-peak Level	Average Level
0.15~0.5	66 ~ 56 *	56 ~ 46 *
0.50~5	56	46
5~30	60	50

*decreasing linearly with logarithm of the frequency

5.2 Test Setup



5.3 Test Procedure

The EUT was placed 0.15 meters from the horizontal ground plane with EUT being connected to the power mains through a line impedance stabilization network (LISN). All other support equipments powered from additional LISN(s). The LISN provide 50 Ohm/ 50uH of coupling impedance for the measuring instrument.

The cables shall be insulated (by up to 15 cm) from the horizontal ground reference plane, and shall be folded back and forth in the center forming a bundle 30 to 40 cm long.

I/O cables that are not connected to a peripheral shall be bundled in the center. The end of the cable may be terminated, if required, using the correct terminating impedance. The overall length shall not exceed 1 m.

LISN at least 80 cm from nearest part of EUT chassis.

The bandwidth of EMI test receiver is set at 9kHz, and the test frequency band is from 0.15MHz to 30MHz.

5.4 Test Data

This test is not applicable.

6. Radiated Emission Test

6.1 Test Standard and Limit

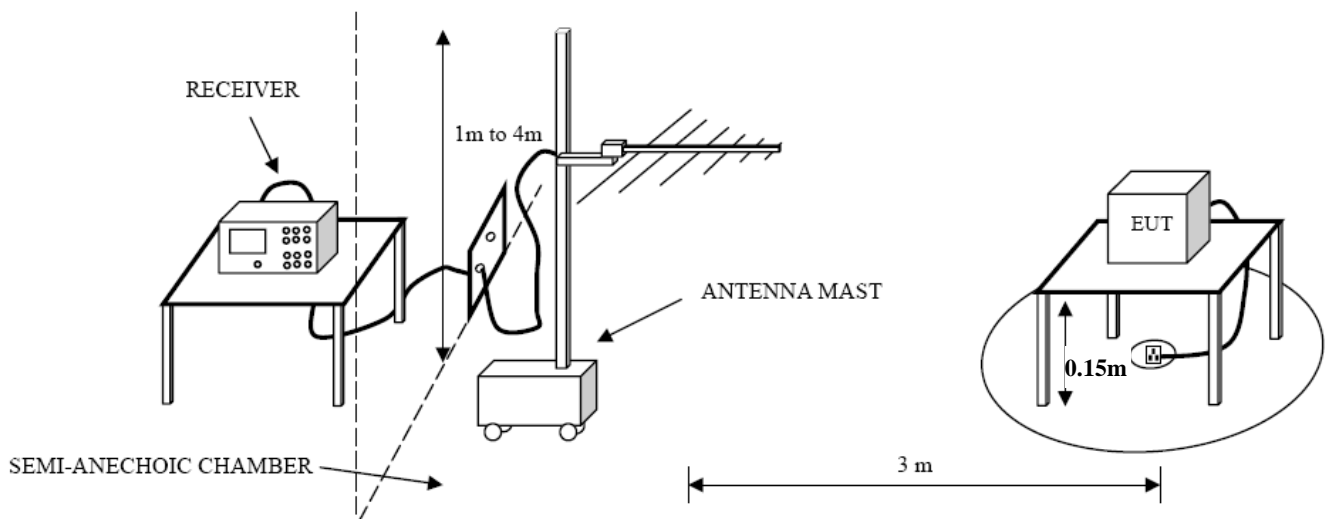
6.1.1 Test Standard
FCC Part 15 B: 2018

6.1.2 Test Limit

Radiated Emission Test Limit (Class A)	
Frequency MHz	Field Strengths Limits dB(μ V/m)
30 ~ 88	49.0
88 ~ 216	53.5
216 ~ 960	56.4
960 ~ 1000	59.5
Radiated Emission Test Limit (Class B)	
Frequency MHz	Field Strengths Limits dB(μ V/m)
30 ~ 88	40.0
88 ~ 216	43.5
216 ~ 960	46.0
960 ~ 1000	54.0

* The lower limit shall apply at the transition frequency.
* The test distance is 3m.

6.2 Test Setup



6.3 Test Procedure

The EUT was placed on the top of a rotating table which is 0.15 meters above the ground. EUT is set 3.0 meters away from the receiving antenna that mounted on a antenna tower. The table was rotated 360 degrees to determine the position of the highest radiation, the antenna can be moved up and down between 1.0 meter and 4 meters to find out the maximum emission level. Both horizontal and vertical polarizations of the antenna are set to make the measurement.

Measurements shall be made with a quasi-peak measuring receiver in the frequency range 30MHz to 1000MHz. If the Peak Mode measured value compliance with and lower than quasi-peak mode Limit, the EUT shall be deemed to meet QP Limits and then no additional QP Mode measurement performed.

6.4 Test Data

Please refer to the Attachment A.

7. Photographs - Constructional Details

Photo 1 Appearance of EUT



Photo 2 Appearance of EUT



Photo 3 Appearance of EUT

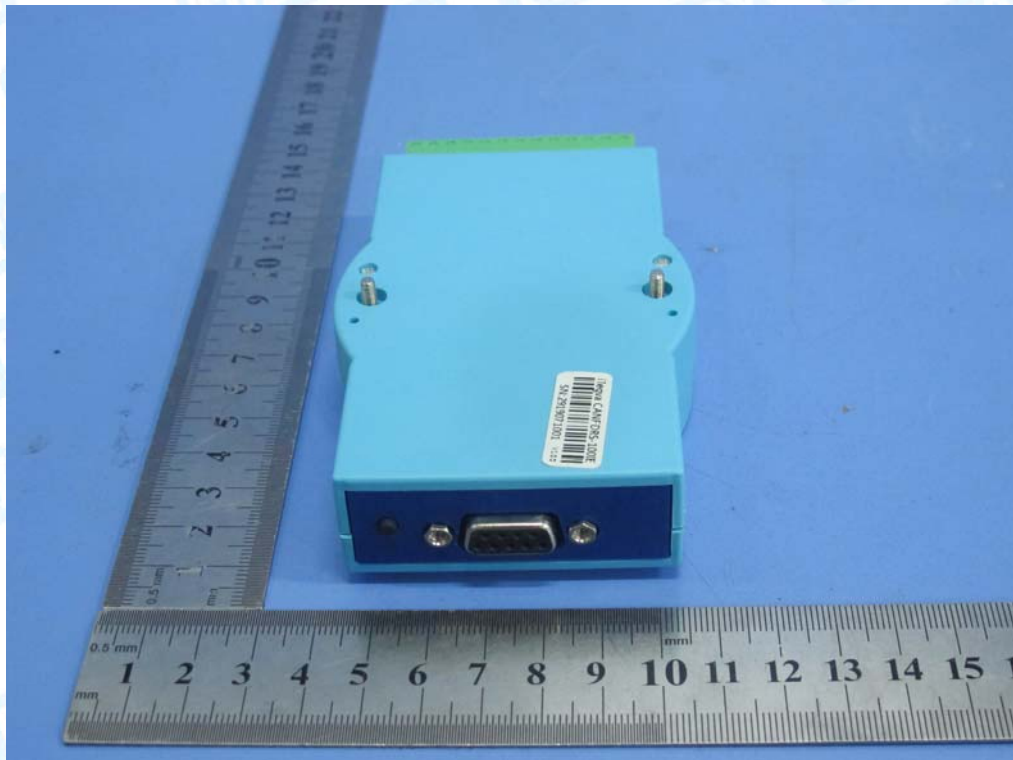


Photo 4 Appearance of PCB

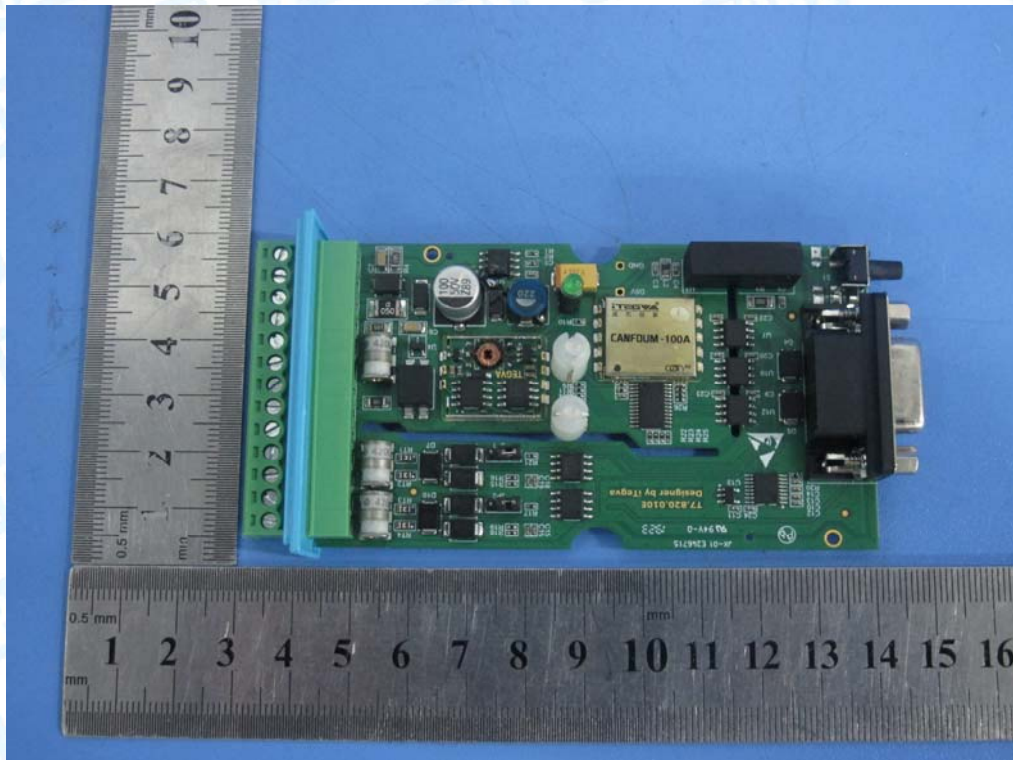
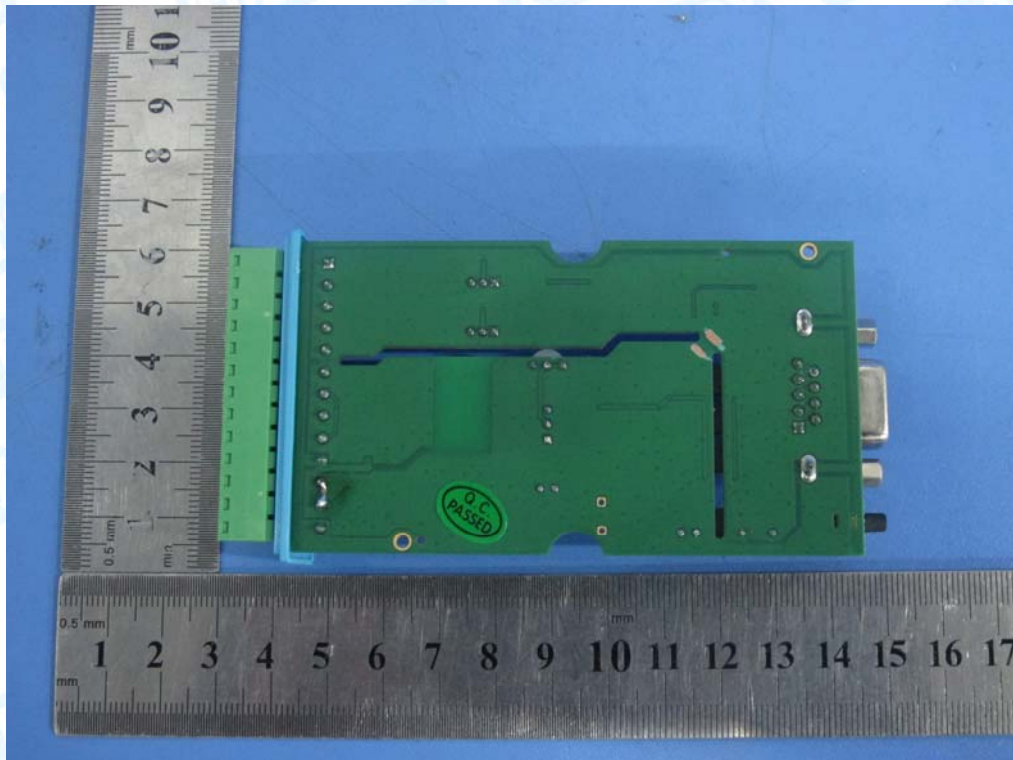


Photo 5 Appearance of PCB



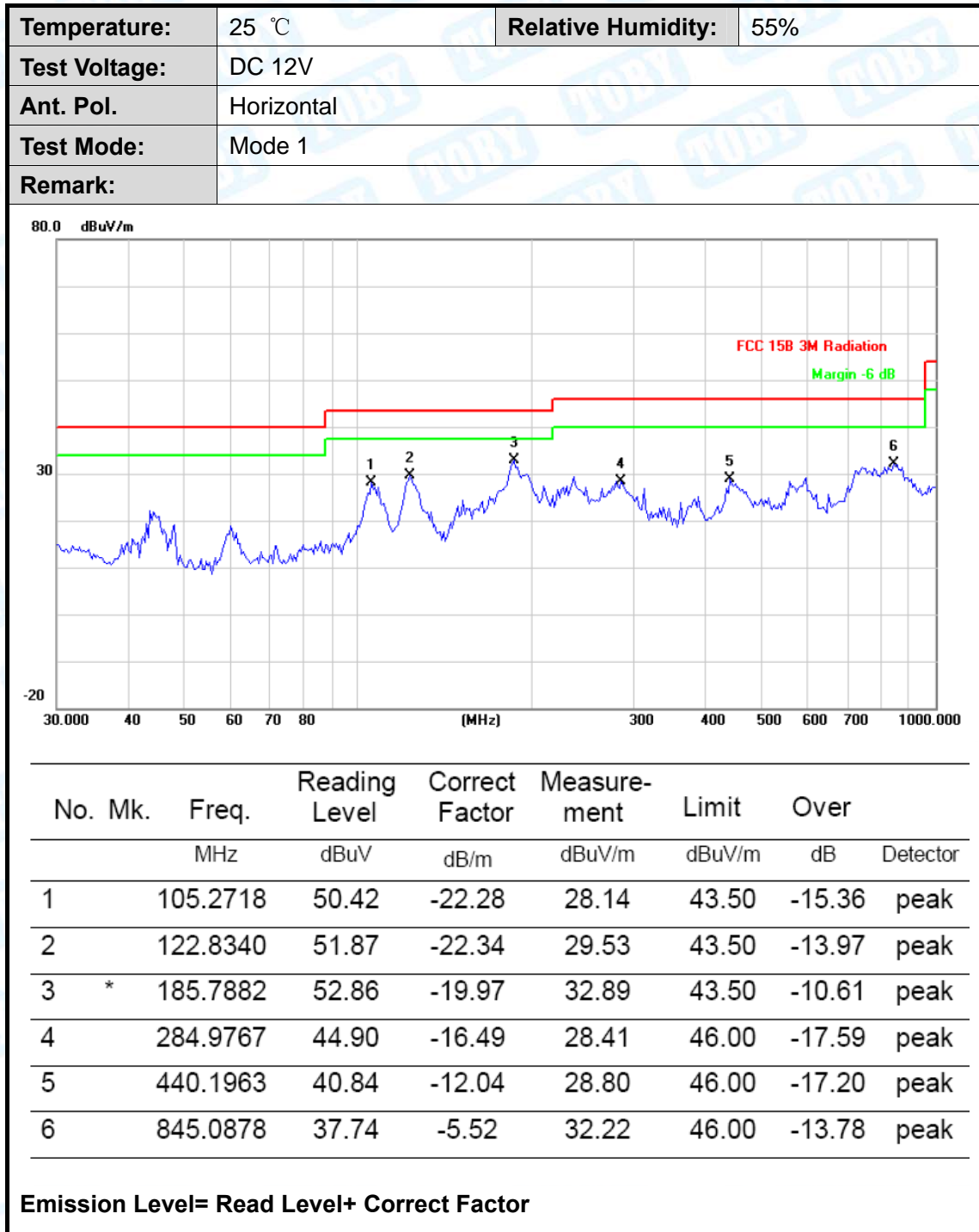
8. Photographs - Test Setup

Radiated Emission Test Setup

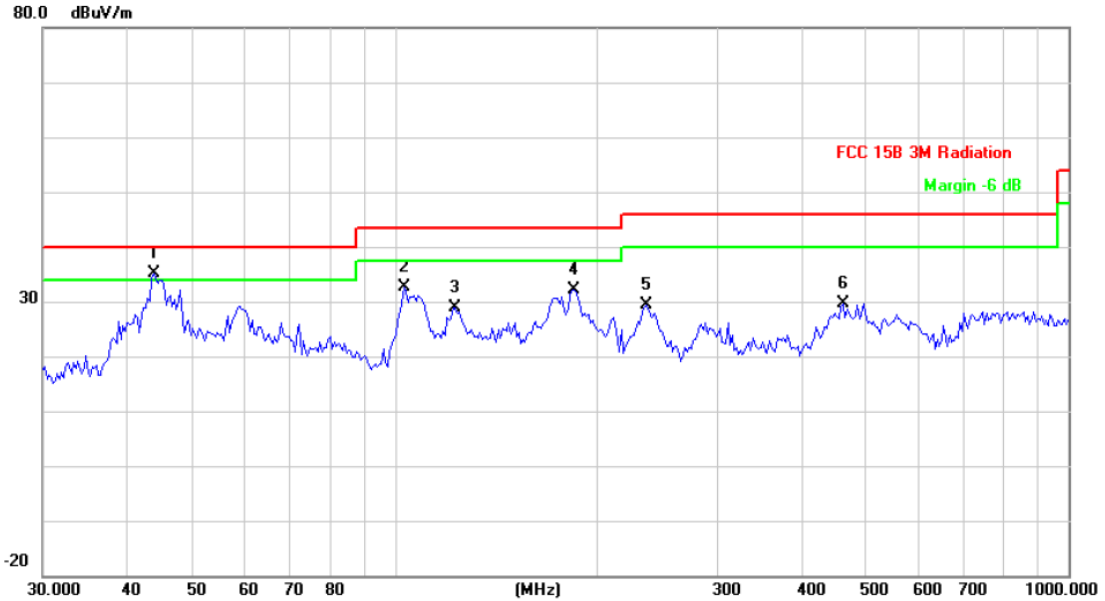


Attachment A--Radiated Emission Test Data

----Below 1G



Temperature:	25 °C	Relative Humidity:	55%
Test Voltage:	DC 12V		
Ant. Pol.	Vertical		
Test Mode:	Mode 1		
Remark:			



No.	Mk.	Freq. MHz	Reading Level dBuV	Correct Factor dB/m	Measure- ment dBuV/m	Limit dBuV/m	Over dB	Detector
1	*	43.8119	56.15	-20.99	35.16	40.00	-4.84	peak
2		103.0800	54.71	-22.20	32.51	43.50	-10.99	peak
3		122.8340	51.18	-22.34	28.84	43.50	-14.66	peak
4		184.4898	52.10	-20.02	32.08	43.50	-11.42	peak
5		235.8164	47.40	-17.97	29.43	46.00	-16.57	peak
6		462.3455	41.35	-11.65	29.70	46.00	-16.30	peak

Emission Level= Read Level+ Correct Factor

-----END OF REPORT-----